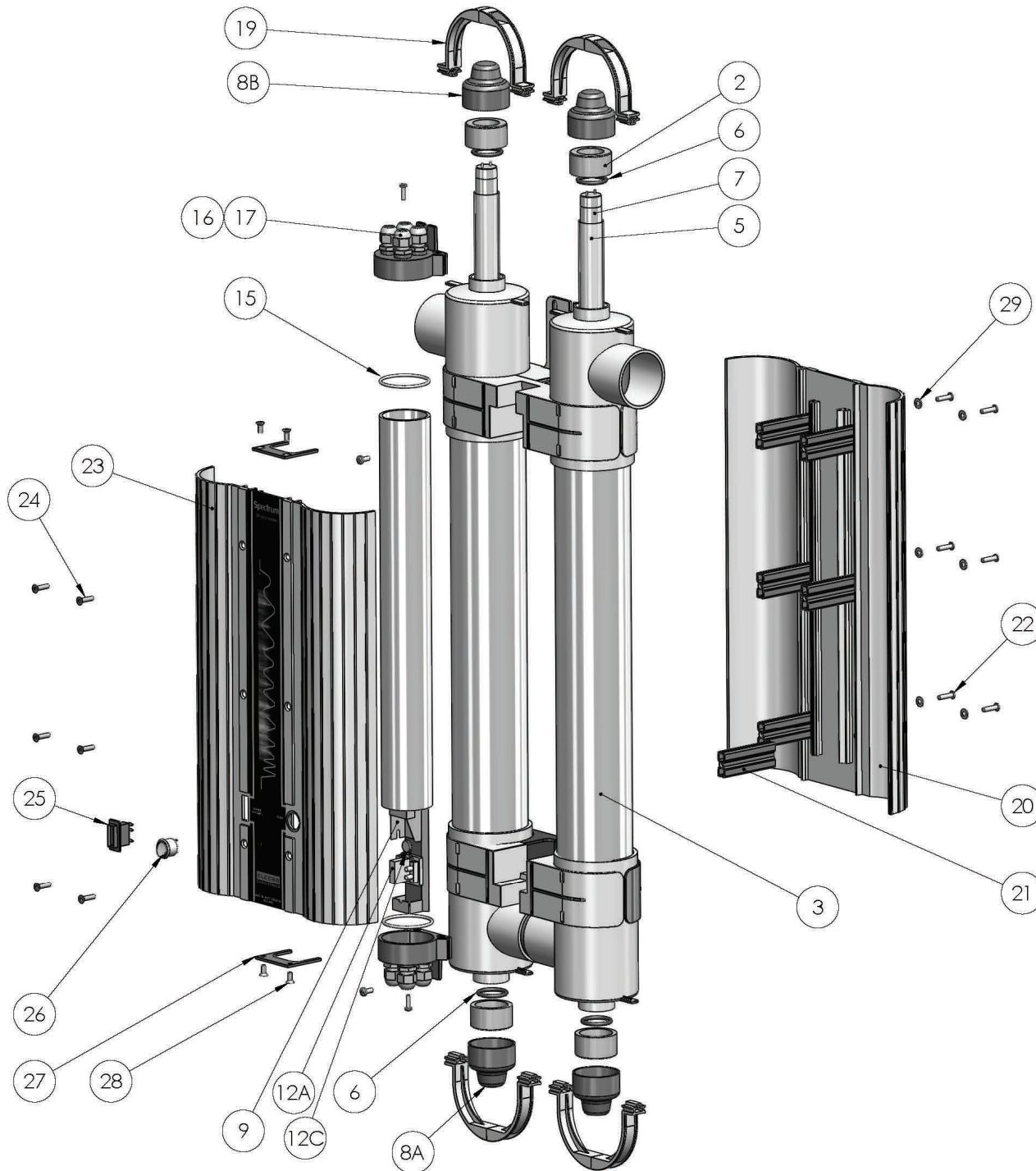


# ELECRO ENGINEERING

## Spectrum UV



Item No	Description
1	Control Gear Complete (Consists of items 9, 12a, 12c, 16, 17, 8a & 8b)
2	Locking Nut
3	Plastic Flow Body (Black & White)
5	Quartz Sleeve
6	O-Ring Quartz Sleeve Seal
7	55W UV Lamp (G55T8)
8 (a & b)	Lamp Lead (cable not shown)
9	Control Ballast 50Hz
12a	Fuse Terminal Block
12b	3.15-Amp Time Delay Fuse (Not Shown)
12c	Varistor
15	Control Gear O-Ring Seal
16	Small Water Tight Cable Grommet
17	Large Water Tight Cable Grommet
18	5-m Power Supply Cable (Not Shown)
19	Lamp Holder / Restraint
20	Rear Cover Panel
21	Screw Boss
22	M5 x 16-mm S/S Button Head Fixing
23	Front Cover Panel
24	M5 x 15-mm S/S CS Fixing
25	Lamp Life Indicator Neon (Including Protective Cover)
26	Lamp Life Reset Switch (Including Protective Cover)
27	End Plate
28	M5 x 10-mm S/S CS Fixing
29	M5 S/S Flat Washer